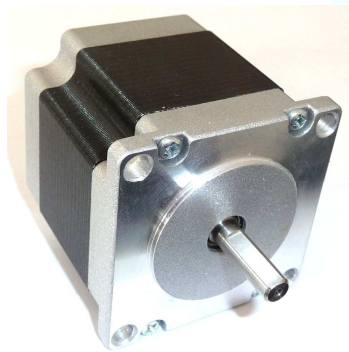
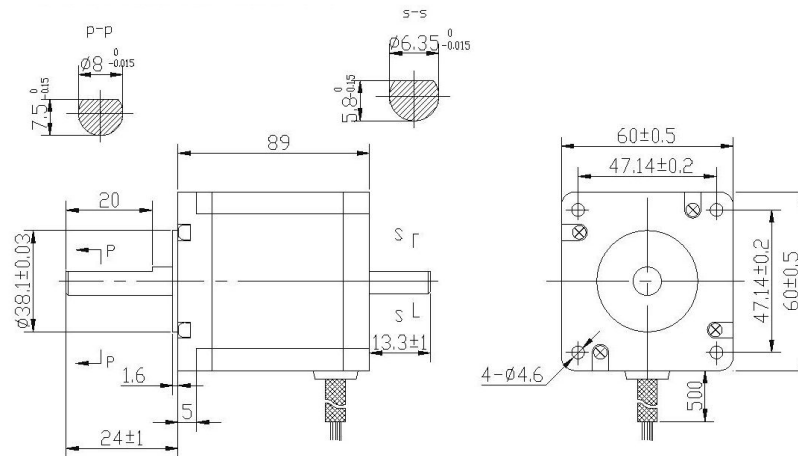
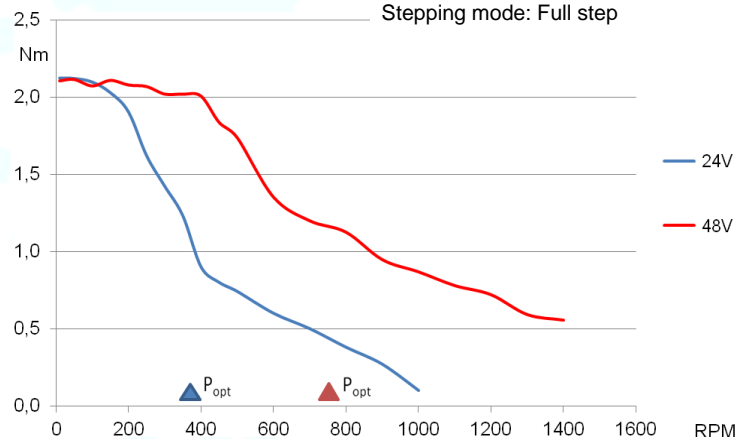


Hybrid Stepper Motor 60BYGH450D-02

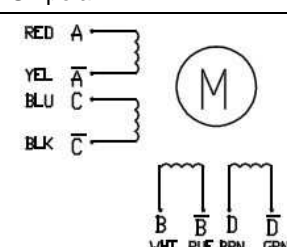
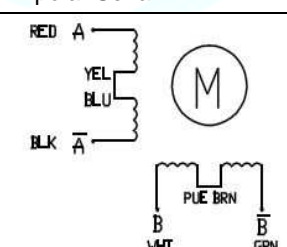
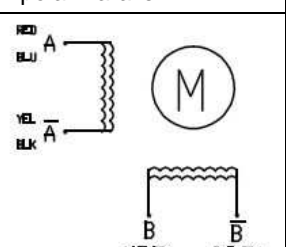
Mechanical Dimensions:



Test conditions:
Stepper motor driver: Leadshine AM882
Connection: Bipolar parallel
Stepping mode: Full step



Electrical Specifications:

	Unipolar	Bipolar Serial	Bipolar Parallel
			
No. of phases	4	2	2
Step Angle	1.8 ± 0.09°		
Rated Voltage (V)	4.38	6.13	3.07
Current (A)	3.0	2.1	4.2
Resistance (Ω)	1.46	2.92	0.73
Inductance (mH)	3.3	13	3.3
Holding Torque coils on DC (Nm)	2.4	3.3	3.3
Holding Torque step mode (Nm)	1.7	2.3	2.3
Rotor Inertia (gcm ²)	840		
Insulation Class	B		
Insulation Resistance	100MΩ, 500VDC		
Weight (kg)	1.5		

09.12.15