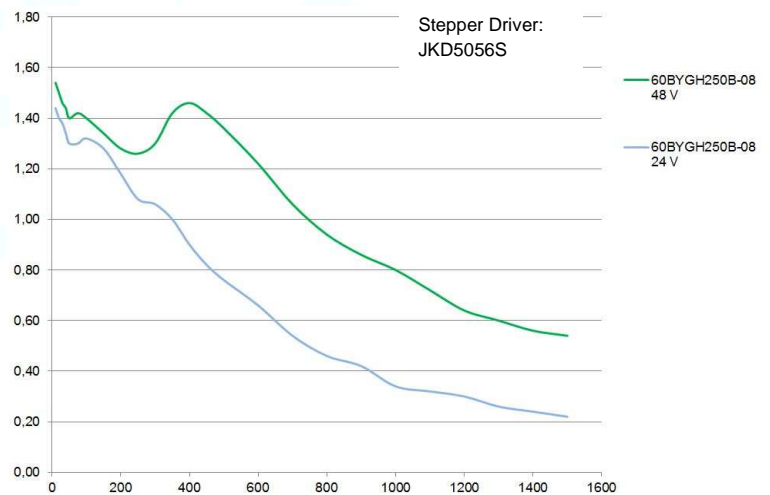
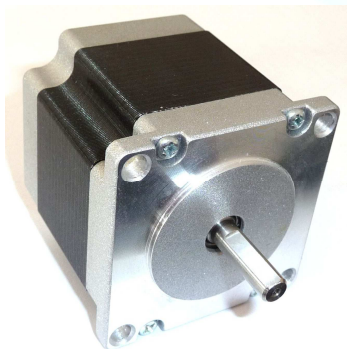
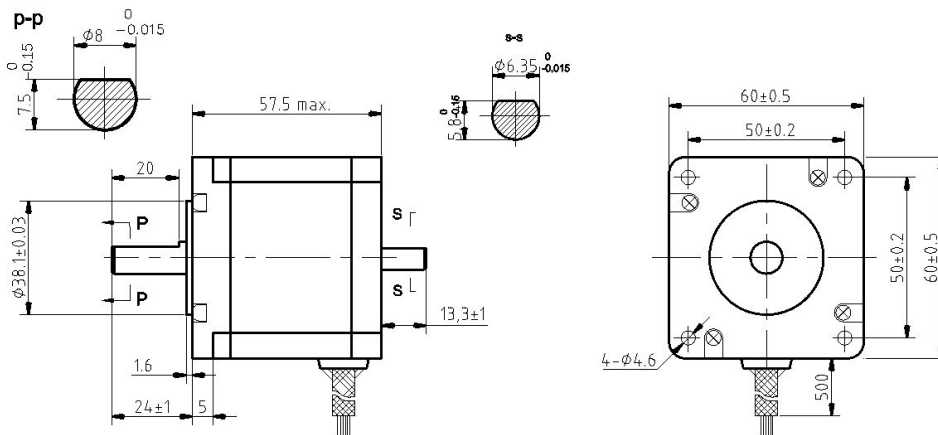
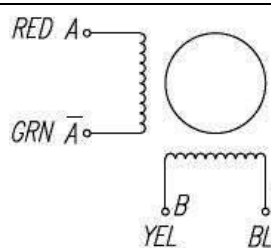


# Hybrid Stepper Motor 60BYGH250B-08

## Mechanical Dimensions:



## Electrical Specifications:

	Bipolar		
			
No. of phases	2		
Step Angle		$1.8 \pm 0.09^\circ$	
Rated Voltage (V)	3.5		
Current (A)	3.0		
Resistance ( $\Omega$ )	$1.17 \pm 10 \%$		
Inductance (mH)	$3.2 \pm 20 \%$		
Holding Torque coils on DC (Nm)	1.47		
Rotor Inertia ( $\text{gcm}^2$ )		300	
Insulation Class		B	
Insulation Resistance		100M $\Omega$ , 500VDC	
Weight (kg)		0.77	

09.05.18