

# Power Supply

# YEP600 series

**Input: 90-305 VAC 47/63Hz**  
**Output Voltage: 36V-60V DC**  
**Rated Power: 600W max.**



## 1. Features

- Protection type: over load/ over voltage/ short circuit
- Cooling by free air convection
- Forced air cooling by built-in DC Fan without speed control
- LED indicator for power on

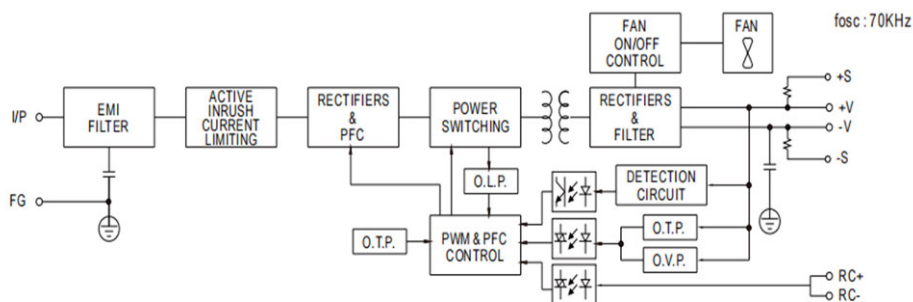
## 2. Specifications

| Model Detail Specification |  | YEP600-36   | YEP600-48  | YEP600-60  |
|----------------------------|--|---|------------|------------|
| Input                      | Input Voltage:   | 90-305VAC 127-370VDC  |            |            |
|                            | Input Frequency:   | 47~63Hz   |            |            |
|                            | Power Factor (typ.):   | PF>0.95   |            |            |
|                            | AC Current:  | 5,3A/115VAC-2,65/230VAC   |            |            |
|                            | Leakage Current:   | <1mA / 240VAC   |            |            |
|                            | Efficiency:  | 91%   | 92%        | 92%        |
|                            | Starting Load:   | 639.4W  | 636.0W     | 630.0W     |
| Output                     | DC Voltage:  | 36V   | 48V        | 60V        |
|                            | Rated Current:   | 16.6A   | 12.5A      | 10A        |
|                            | Rated Power:   | 597.6W  | 600W       | 600W       |
|                            | Voltage Tolerance:   | ±1%   |            |            |
|                            | Ripple and Noise:  | 270mVp-p  | 360mVp-p   | 360mVp-p   |
|                            | Line Regulation:   | ±0.5%   |            |            |
|                            | Load Regulation:   | ±0,5%   |            |            |
|                            | Setup, Rise, Hold up Time:   | 1500ms, 50ms/230VAC 3000ms, 50ms/115VAC at full load  |            |            |
| Environmental              | Operating Temperature:   | -30°C to 70°C, (Refer to "Deduction curve and tempe rature")  |            |            |
|                            | Storage Temp., Humidity:   | -40°C to 85°C, 10~95% RH  |            |            |
|                            | Working Humidity:  | 20%~90% RH Non-Condensing   |            |            |
| Protection                 | Over Load:   | 105 ~ 135% rated output power<br>Protection type : Hiccup mode, recovers automatically after fault condition is removed |            |            |
|                            | Over Voltage:  | 38.4~42.8V  | 58.4~68.2V | 65.2~76.8V |
|                            |  | Protection type : Shut down o/p voltage, re-power on to recover   |            |            |
|                            | Over Temperature:  | Shut down o/p voltage, recovers automatically after temperature goes down   |            |            |
| Safety & EMC               | Safety Regulations:  | EN/EN62368-1, BS EN/EN61558-1   |            |            |
|                            | Withstand Voltage:   | I/P-O/P:4KVAC I/P-FG:2KVAC O/P-FG:1.25KVAC  |            |            |
|                            | Isolation Resistance:  | I/P-O/P, I/P-FG, O/P-FG:100M Ohms/ 500VDC/25 °C/70% RH  |            |            |
|                            | EMC Emission:  | Compliance to BS EN/EN55032 (CISPR32)<br>Class B, BS EN/EN61000-3-2,-3,   |            |            |
| Other                      | MTBF:  | 2761.8K hrs min. Telcordia SR-332 (Bellcore) ;  |            |            |
|                            | Size:  | 230x127x40.5(LxWxH)   |            |            |
|                            | Packaging:   | 1.2Kg; 10pcs/12.0Kg/0.021CBM  |            |            |
| Note                       | <p>1.All parameters NOT specially mentioned are measured at 230VAC input, rated load and 25°C of ambient temperature.</p> <p>2.Ripple&amp;noise are measured from peak to peak with band width limit of 20MHz(0.1uF and 47uF/50V parallel capacitor under DC output full load, AC nominal input 25 C ambient temperature).</p> <p>3.The power supply is considered a component which will be installed into a final equipment. The final equipment must be re-confirmed that it still meets EMC directives. For guidance on how to perform these EMC tests, please refer to "EMI testing of component power supplies."</p> <p>4.Derating may be needed under low input voltages. Please check the derating curve for more details.</p> <p>6.The ambient temperature derating of 3.5 °C/1000m with fanless models for operating altitude higher than 2000m(6500ft).</p> |   |            |            |

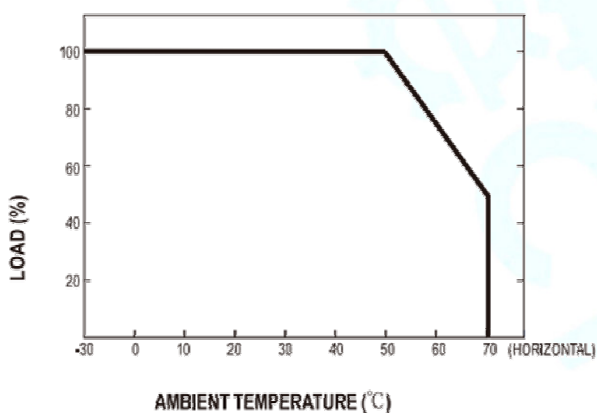
# Power Supply

# YEP600 series

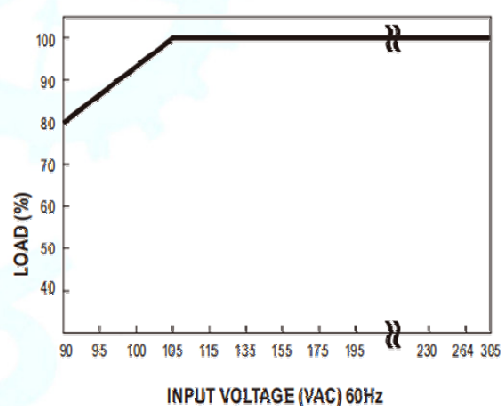
## 3. Functional Diagram



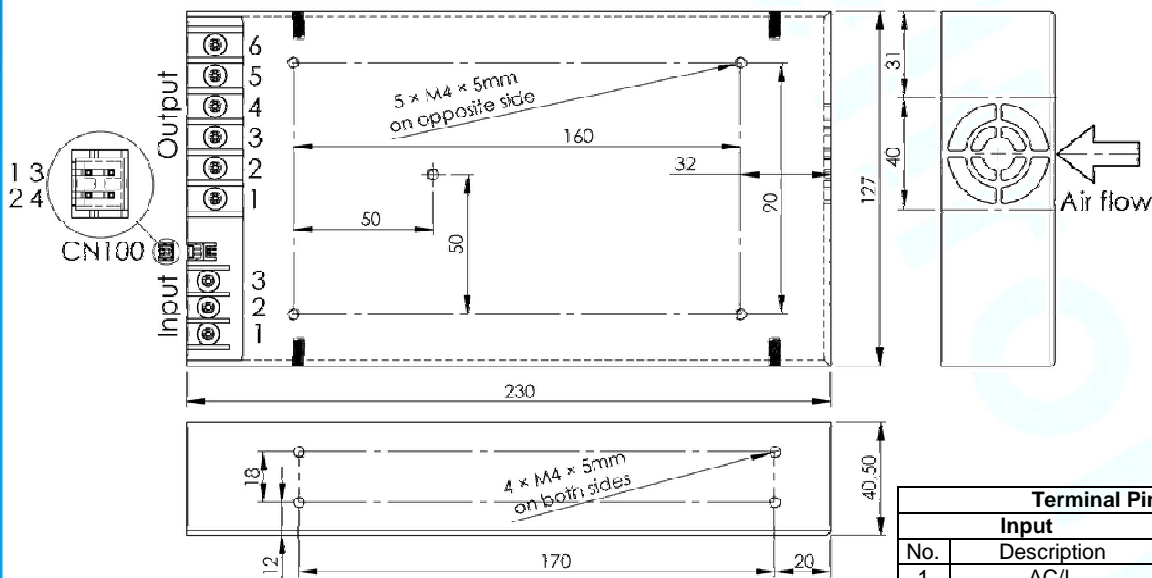
## 4. Deduction curve and temperature



## 5. Minus output and input voltage curve



## 6. Dimension and Installation



| Terminal Pin Assignment |             |                                   |                                  |
|-------------------------|-------------|-----------------------------------|----------------------------------|
| Input                   |             | Output                            |                                  |
| No.                     | Description | No.                               | Description                      |
| 1                       | AC/L        | 1-3                               | -V                               |
| 2                       | AC/N        | 4-6                               | +V                               |
| 3                       | FG          |                                   |                                  |
| CN100                   |             |                                   |                                  |
| No.                     | Description | Terminal                          | Mating Housing                   |
| 1                       | -S          | HRS DF11-**SC<br>or<br>equivalent | HRS DF11-4DS<br>or<br>equivalent |
| 2                       | +S          |                                   |                                  |
| 3                       | RC-         |                                   |                                  |
| 4                       | RC+         |                                   |                                  |