

Optical incremental encoder  
 PIB408-400Z  
 PIB408-200Z

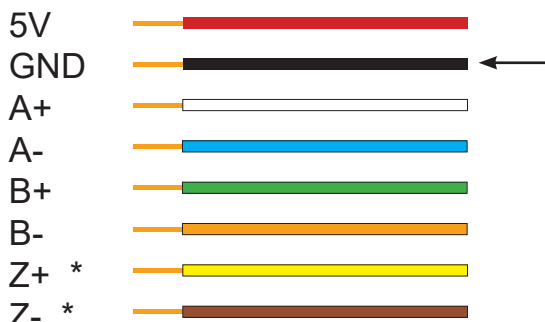
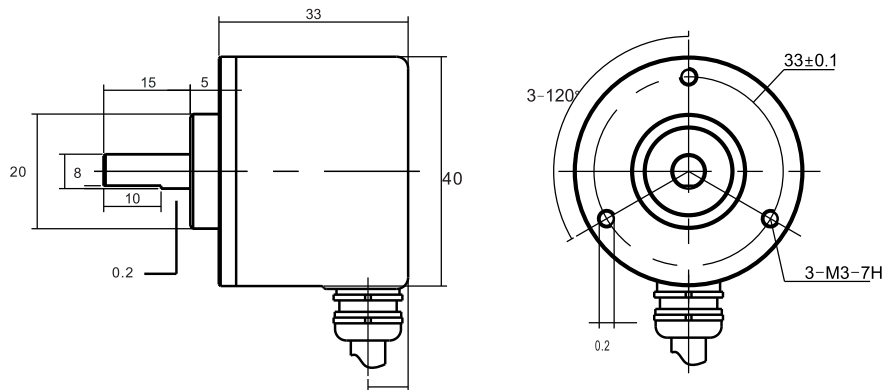


■ Technical data

Resolution	200 or 400ppr	Rotating inertia	$3.5 \times 10^{-6} \text{kg} \cdot \text{m}^2$
Supply voltage	DC5V or DC 10V~30V	Max rotating speed	6000r/min
$V_H$ Output voltage	$\geq V_{CC} \times 70\%$	Vibration resistance	$50 \text{m/s}^2$ (10~200Hz) (XYZ each direction 2hours)
$V_L$ Output voltage	$\leq 0.5 \text{V}$	Shock resistance	$980 \text{m/s}^2$ (XYZ each direction 2times) last 6mS
Current consumption	$\leq 150 \text{mA}$	Protection	IP65
Output phase	A. B. Z	Operating temperature	-10°C ~ +70°C
Frequency response	100kHz Max	Storage temperature	-20°C ~ +80°C
Rise/fall time	$\leq 1 \mu\text{s}$ or line driver $\leq 0.1 \mu\text{s}$	Operating humidity	30 ~ 85%RH
Starting torque	$3 \times 10^{-3} \text{N} \cdot \text{m}$ (+25°C)	Weight (no cable)	0.3kg
Shaft loading	Radial 40N Axial 20N	Accessories	

■ Connection table

cable color	Red	Black	White	Green	Yellow	Blue	Orange	Brown	Shield	
Output form	P/L/D/H/M	VCC	0V	A	B	Z	$\bar{A}$	$\bar{B}$	$\bar{Z}$	FG



\*For connection to ELS controller do not use Z+ / Z-

Shield: Connect to GND if encodercase is not connected to grounded metal parts.