

iHSV60

Integrated AC Servo Motors



杰美康机电
JUST MOTION CONTROL



1. Features:

- High positioning accuracy
- High torque
- Cost-effective high speed response
- Smooth and very low noise
- Compact size
- Pulse Input Mode Pulse + Direction
- Current Loop Bandwidth: (-3dB) 2KHz (Typical)
- Speed Loop Bandwidth: 500Hz (Typical)
- Position Loop Bandwidth: 200Hz (Typical)
- Parameters to download via RS232 to PC.
- Users can define subdivisions via external Dial-up switches or via software.
- Over-current, I2T-motor-current-observation, Over-voltage, Under-voltage, Over-heat, Over-speed, protections.

2. Description:

The iHSV60-XX AC servo motor consists of a perfectly tuned servo driver integrated into a servo motor. The vector-controlled system with DSP chip allows three adjustable modes (position loop, speed loop, and current loop) in one unit. The system saves space by eliminating the wiring between driver, motor, and encoder. iHSV60-XX is a product from a model range for applications in motion control.

3. Applications:

iHSV60-XX can be used in various applications such as laser cutters, laser markers, high precision X-Y tables, labelling machines, CNC router, etc. Its unique features make the iHSV60-XX an ideal choice for applications that require low-speed smoothness and high torque at higher revolution by small mounting space.

4. Naming Rules:

iHSV 57 - 30 - 10 - 36 - XX - XX

1 2 3 4 5 6 7

1. Integrated Servo motor
2. Motor frame size: 57
3. Motor revolution (unit: x 100 RPM) 10 \triangleq 1000 RPM, 20 \triangleq 2000 RPM, 30 \triangleq 3000 RPM
4. Output Power (unit: x 10 W) 10 \triangleq 100 W; 20 \triangleq 200 W
5. Motor rated DC voltage: 24 means voltage is 24 V, 36 means voltage is 36 V.
6. Shaft length: 01 = 30 mm, 21 = 21 mm
7. Pilot diameter: No digit = 25.4 mm, 38 = 38.1 mm
8. SC = with Brake; RC = with MOD-/CAN Bus

5. Electrical Specifications:

| Parameters: | Min | Typical | Max | Unit |
|------------------------|-----|---------|---------------------------|------------|
| Input Voltage : | 24 | 36/48 | 60 | Vdc |
| Pulse per revolution: | 4 | - | 51200 | Pul./rev. |
| Pulse input frequency: | | - | 200 | kHz |
| Pulse Voltage: | 3.3 | 5 | 24 (with R- 5k Ω) | V |
| Logic Signal Current: | 7 | 10 | 16 | mA |
| Isolation Resistance: | 100 | - | - | M Ω |

iHSV60

Integrated AC Servo Motors

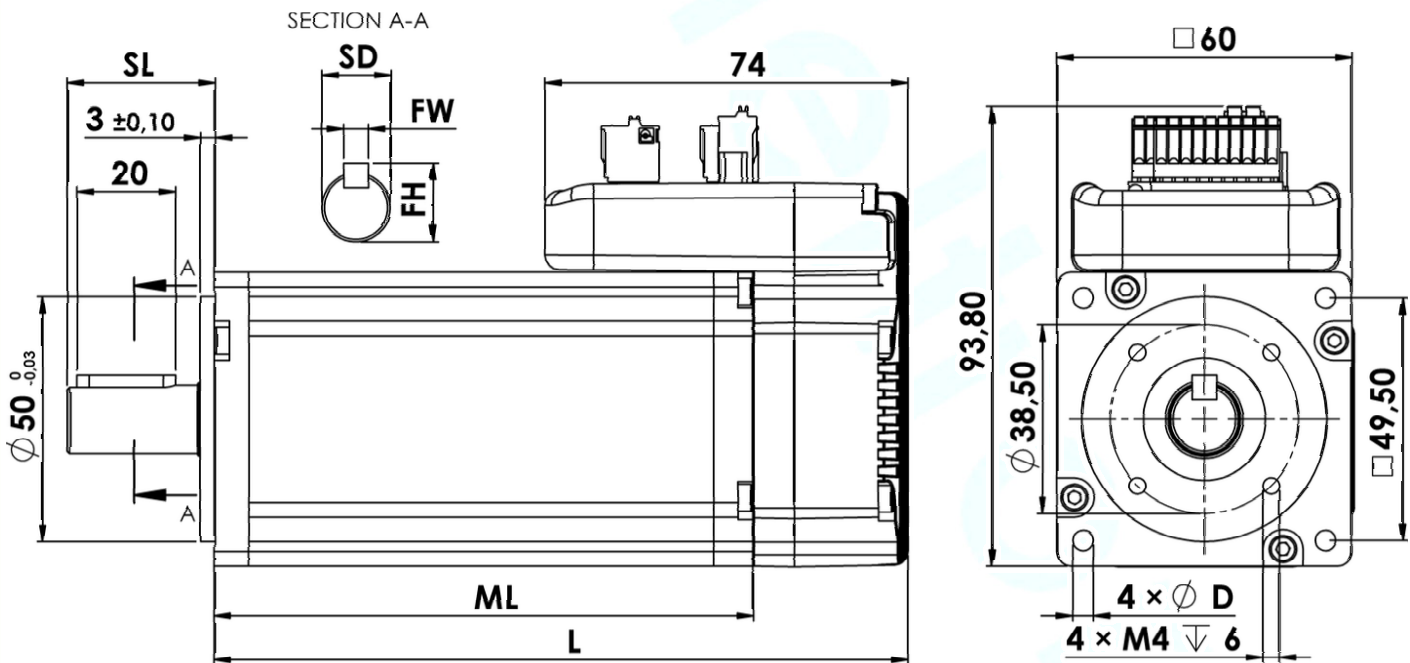
6. Motor Specifications:

| Name: | iHSV60-30-40-48-XX | iHSV60-30-20-36-XX | | | Unit |
|---------------------|--------------------|--------------------|--|--|-------------------|
| Rated Power | 400 | 200 | | | W |
| Rated Current (RMS) | 11.2 | 8.5 | | | A |
| Rated Torque | 1.27 | 0.65 | | | N·m |
| Rated Speed | 3000 | 3000 | | | min ⁻¹ |
| Max. Speed | 4200 | 4200 | | | min ⁻¹ |
| Rated Voltage | 48 | 36 | | | V |
| Weight | 1.6 | 1.2 | | | kg |
| Max. Cogging torque | 28 | 26 | | | mN·m |

7. Operating Environment:

| | | |
|-----------------------|-----------------------------------|--|
| Cooling | Natural cooling or forced cooling | |
| Operating Environment | Environment | Avoid dust, oil, fog and corrosive gases |
| | Ambient Temperature | 0°C – 40°C |
| | Humidity | 40 %RH – 90 %RH |
| | Operating Temperature | max. 70°C |
| Storage Temperature | -20°C – 80°C | |

8. Mechanical Specification:



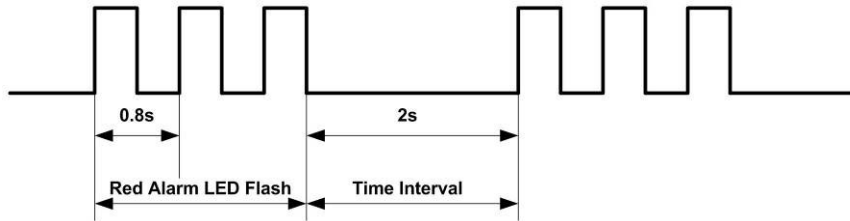
| Name: | ML | L ± 1 | SL ± 0,5 | SD +0,01-0,02 | FW -0,05 | FH -0,20 | Ø D |
|-----------------------|-----|----------|-------------|------------------|-------------|-------------|--------|
| iHSV60-30-40-48-30-50 | 108 | 140 | 30 | 14 | 5 | 16 | M5 |
| iHSV60-30-40-48-5.5 | 108 | 140 | 30 | 14 | 5 | 16 | 5.5 mm |
| iHSV60-30-20-36 | 80 | 112 | 30 | 10 | 4 | 12,5 | M5 |

Dimensions in mm

iHSV60

Integrated AC Servo Motors

9. Protection Indications:



| LED light flashes | Alarm description |
|--|---|
| 2 times | Drive over current |
| 3 times | Driver position deviation exceeds set value |
| 4 times | Driver encoder alarm |
| 6 times | Under voltage |
| 7 times | Driver overload |
| Please check Alarm Code by Software if the LED-Signal is not clear | |

10. Connectors and Pin Assignment

The iHSV57-XX has three connectors, one connector for power connections, another one for control signal connections and a third one for RS232 communication connections.

| Power Connector +VDC | | | |
|----------------------|------|-----|--|
| Pin | Name | I/O | Description |
| 1 | DC+ | I | Power Supply Input (Positive) 43 – 53 / 65 - 79VDC; 48 / 72 V is typical. Recommended to leave reasonable reserve for voltage fluctuation and back-EMF during deceleration. |
| 2 | GND | GND | Power Ground (Negative) |

| Control Signal Connector | | | |
|--------------------------|------|-----|--|
| Pin | Name | I/O | Description |
| 1 | ALM- | O | <u>Alarm Signal</u> : OC output signal, activated when one of the following protection is activated: over-voltage and over current error. They can sink or source MAX 8 mA current at 24 V, respectively 200 mW. The impedance between ALM+ and ALM- is high for normal operation and becomes low when any protection is activated. |
| 2 | ALM+ | O | |
| 3 | PED- | O | <u>In-position Signal</u> : OC output signal, activated when actual motor position reaches to target Position. This port can sink or source MAX 8 mA current at 24 V, respectively 200 mW. The impedance between PED+ and PED- is high for normal operation and becomes low when the target position is reached. The PED signal must be activated in the software via parameter P06-23. |
| 4 | PED+ | O | |
| 5 | ENA- | I | <u>Enable signal</u> : This signal is used for enabling/disabling the drive board. By default, high level (NPN control signal) for enabling the drive board and low level for disabling the drive board. It is usually left UNCONNECTED (ENABLED) . Please note that the PNP and Differential control signals are on the contrary, namely Low level for enabling. (optional: SW5 ON direction of rotation CW/CCW) |
| 6 | ENA+ | I | |
| 7 | DIR- | I | <u>Direction Signal</u> : In single-pulse mode, this signal has low/high voltage levels, representing two directions of motor rotation. For reliable motion response, DIR signal should be ahead of PUL signal by 5µs at least. 3.5-24V for DIR-HIGH, 0-0.5V for DIR-LOW. Toggle DIP switch S6 to reverse motion direction. (optional: SW5 ON direction of rotation CW/CCW) |
| 8 | DIR+ | I | |
| 9 | PUL- | I | <u>Pulse Signal</u> : In single pulse (pulse/direction) mode, this input represents pulse signal, active at each rising or falling edge (Software configurable). 3.5 – 24 V for PUL-HIGH, 0 - 0.5 V for PUL-LOW. For reliable response, pulse width should be longer than 2.5µs for 200kHz MAX input frequency. |
| 10 | PUL+ | I | |

iHSV60

Integrated AC Servo Motors

| RS232 Communication Port | | | | |
|--------------------------|------|-----------------------------|---------------------------|--|
| Pin | Name | Colour at round beige Cable | Colour at flat grey Cable | Description |
| 1 | NC | - | - | Not used |
| 2 | RX | Brown-White | Yellow | RS232 Receive Data |
| 3 | GND | Blue | Green | Ground |
| 4 | TX | Blue-White | Red | RS232 Transmit Data |
| 5 | VCC | - | - | Power Supply 3.3 V to HISU. Attention: For PC software use, leave unconnected! |

Note 1: The RS232 communication port is not isolated. Please use an isolated power supply for the iHSSXX when the PC's serial port is not isolated.

Note 2: Do not plug or unplug the connector when power is on.

11. DIP Switch Settings:

Pulses per revolution of the iHSS-XX can be configured via DIP switch SW1-SW4 or by the tuning software. When all SW1-SW4 are at "ON" positions, the drive will take the setting set by the software. In this case, a user can re-configure to any value between 4 and 51200 through software. If any bit of SW1-SW4 is at "OFF" position, the integrated drive board will take micro step resolution setting determined by bit positions of SW1-SW4. Use the following table for their resolution settings via the DIP switches.

| Pulses / Revolution | SW1 | SW2 | SW3 | SW4 |
|---------------------|-----|-----|-----|-----|
| Software configured | On | On | On | On |
| 800 | Off | On | On | On |
| 1600 | On | Off | On | On |
| 3200 | Off | Off | On | On |
| 6400 | On | On | Off | On |
| 12800 | Off | On | Off | On |
| 25600 | On | Off | Off | On |
| 51200 | Off | Off | Off | On |
| 1000 | On | On | On | Off |
| 2000 | Off | On | On | Off |
| 4000 | On | Off | On | Off |
| 5000 | Off | Off | On | Off |
| 8000 | On | On | Off | Off |
| 10000 | Off | On | Off | Off |
| 20000 | On | Off | Off | Off |
| 40000 | Off | Off | Off | Off |

SW 5: S5 is used for setting the active edge of the input signal, "off" -means the active edge is the rising edge, while "on" is the falling edge.

SW 6: is used for setting the running direction, "off" means CCW, while "on" means CW.

iHSV60

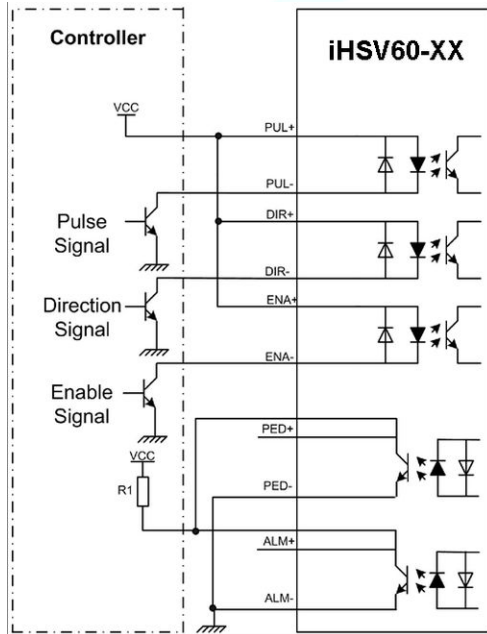
Integrated AC Servo Motors

12. Fine Tuning:

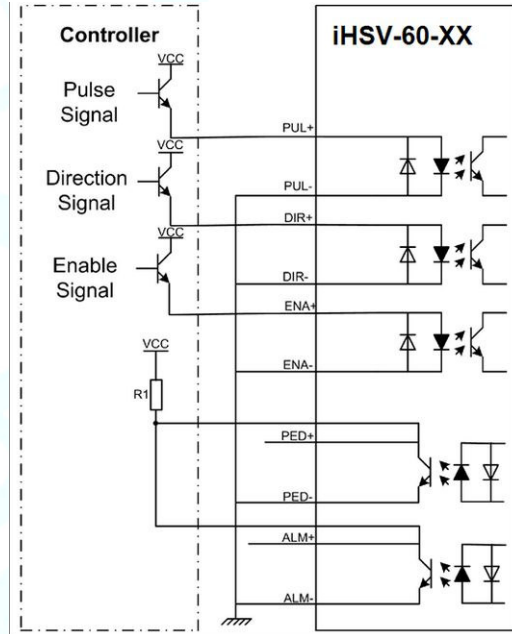
Standard parameters are already set ex works. These standard parameter values are optimized and suitable for most industrial applications. In most cases it is not necessary to change them. However, if you want to optimize the performance for your application, the software can be used to adjust these parameters

13. Typical Connections:

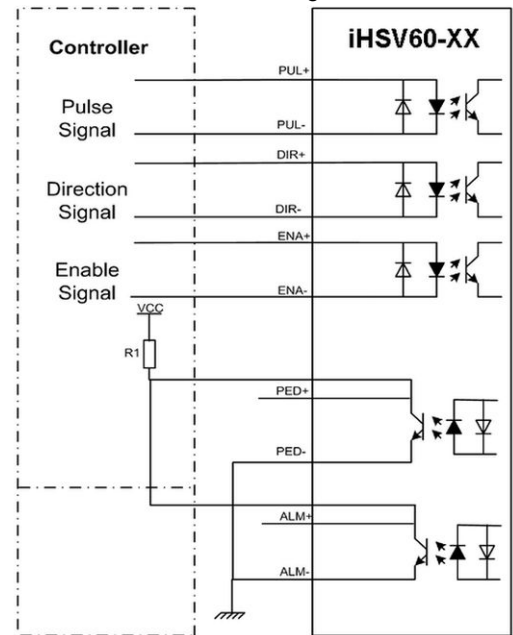
Connection to Common Anode:



Connection to Common Cathode:



Connection to Differential Signal:



14. RS232 Communication Cable Connections:

Note 1: The RS232 communication port is not isolated. Please use a galvanic isolated power supply for the iHSS86-XX when the PC's serial port is not isolated.

Note 2: Do not plug or unplug the connector when power is on.

| Definition | | Remark |
|------------|--|----------------------|
| RX | | Receive Data |
| GND | | Power Ground |
| TX | | Transmit Data |
| OR | | |
| NC | | Reserved |
| RX | | Receive Data |
| GND | | Power Ground |
| TX | | Transmit Data |
| VCC | | Power Supply to HISU |