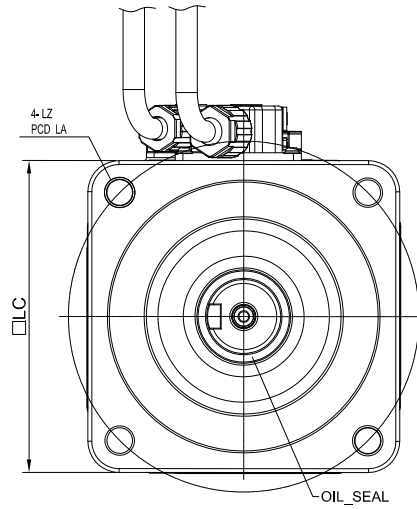
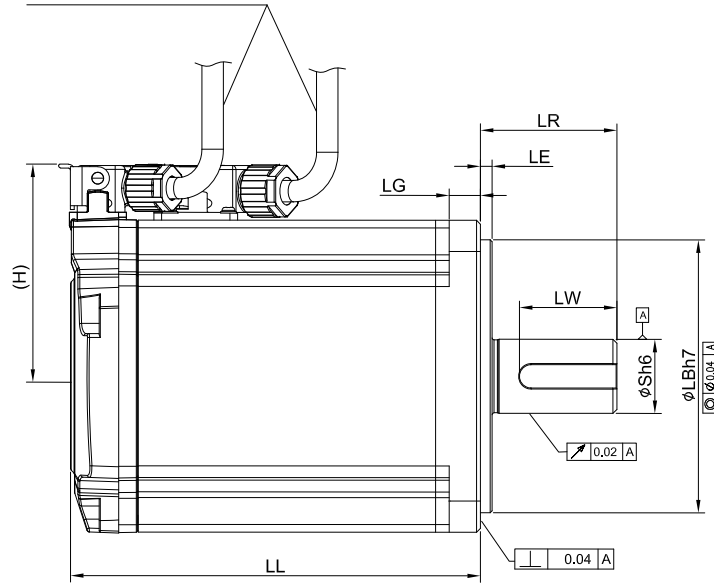
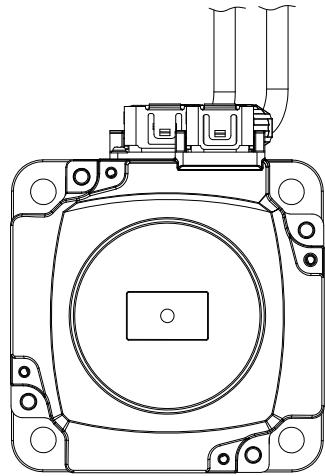
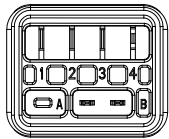


馬達出貨不含配件線  
此僅供高度確認



DIMENSION TABLE (MODEL WITHOUT BRAKE)

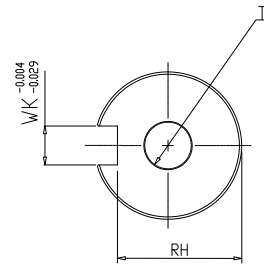
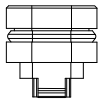
MODEL	LL	LR	LG	LW	WK	W	T	RH	TP	S	LE	LA	LZ	LB	LC	H
ECM-B3M-CB0810RB1	124.8	35	8	25	6	6	6	15.5	M6, Depth 20	19	3	90	6.6	70	80	54



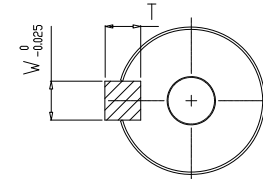
SUNCHU SC-MC6P		
PIN	DESCRIPTION	COLOR
1	U	RED
2	V	WHITE
3	W	BLACK
4	FG	YELLOW/GREEN
A	BR+	-
B	BR-	-



SUNCHU SC-MC7P		
PIN NO.	DESCRIPTION	COLOR
1	T+	WHITE
2	T-	YELLOW
3	DC +5V	BROWN
4	DC GND	BLUE
5	-	-
6	-	-
7	SHIELD	GREEN



SHAFT END DETAIL



KEY DETAILS

<b>台達電子工業股份有限公司</b> <b>DELTA ELECTRONICS, INC.</b>		DRAWN: APPROVE:	DESIGN: DATE: 11/27/2023
THESE DRAWINGS AND SPECIFICATIONS ARE THE PROPERTY OF DELTA ELECTRONICS, INC. AND SHALL NOT BE REPRODUCED OR USED AS THE BASIS FOR THE MANUFACTURE OR SELL OF APPARATUSES OR DEVICES WITHOUT PERMISSION.		DIMENSIONAL TOLERANCES ( ) ( ) ( ) ( ) ANGLES DECIMALS <50 ±0.1 <50 ±0.15 <50 ±0.2 <30 ±0.1 X ±0.3 >50/100 ±0.15 >50/100 ±0.2 >50/100 ±0.25 >30/-07 ±0.2 XX ±0.2 >100/200 ±0.2 >100/200 ±0.25 >100/200 ±0.3 >60/-07 ±0.2 XXX ±0.1 >200 ±0.25 >200 ±0.25 >200 ±0.3	
DESCRIPTION: <b>Physical Dimension</b>		A3 SIZE THIRD ANGLE PROJECTION	PART NO.: <b>ECM-B3M-CB0810RB1(PD)</b>
USED ON	CONFIDENTIAL	UNIT 	SCALE 1.000 SHEET 1 OF 1
		REV. 00	ECN NO.