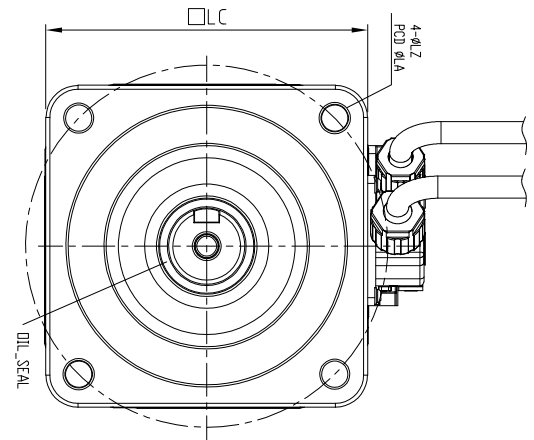
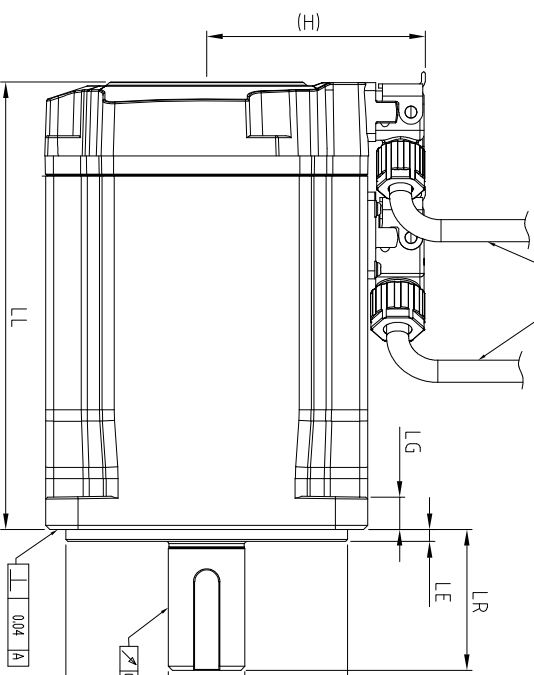
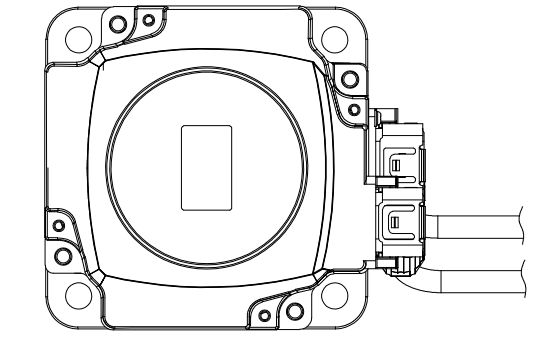
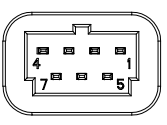


馬達出貨不含配件線，  
此僅供高度確認



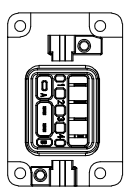
DIMENSION TABLE (MODEL WITHOUT BRAKE)

| MODEL             | LL    | LR | LG | LW | WK | W | T | RH   | TP           | S  | LE | LA | LZ  | LB | LC | H  |
|-------------------|-------|----|----|----|----|---|---|------|--------------|----|----|----|-----|----|----|----|
| ECM-B3M-CB0807RB1 | 111.2 | 35 | 8  | 25 | 6  | 6 | 6 | 15.5 | M6, Depth 20 | 19 | 3  | 90 | 6.6 | 70 | 80 | 54 |



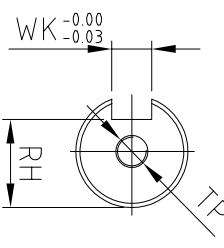
ENCODER CONNECTOR

| PIN NO. | DESCRIPTION | COLOR  |
|---------|-------------|--------|
| 1       | T+          | WHITE  |
| 2       | T-          | YELLOW |
| 3       | DC +5V      | BROWN  |
| 4       | DC GND      | BLUE   |
| 5       | BAT+        | RED    |
| 6       | BAT-        | BLACK  |
| 7       | SHIELD      | GREEN  |

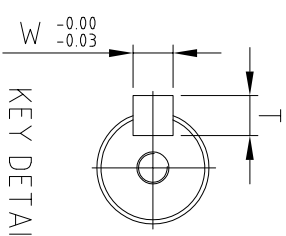


MOTOR CONNECTOR

| PIN | pin define | Wire Color   |
|-----|------------|--------------|
| 1   | U          | RED          |
| 2   | V          | WHITE        |
| 3   | W          | BLACK        |
| 4   | FG         | YELLOW/GREEN |
| A   | BR+        | BROWN        |
| B   | BR-        | BLUE         |



SHAFT END DETAILS



KEY DETAILS

|  |          |   |              |  |      |
|--|----------|---|--------------|--|------|
| <b>台達電子工業股份有限公司</b><br><b>DELTA ELECTRONICS, INC.</b>  |          | DRAWN: CindyLin<br>APPROVE: Kevin Chuang  |              | DESIGN: CindyLin<br>DATE: 10/17/2023   |      |
| THESE DRAWINGS AND SPECIFICATIONS ARE THE PROPERTY OF DELTA ELECTRONICS, INC. AND SHALL NOT BE REPRODUCED OR USED AS THE BASIS FOR THE MANUFACTURE OR SELL OF APPARATUS OR DEVICES WITHOUT PERMISSION. |          | DIMENSIONAL TOLERANCES<br>( ) ( ) ( ) ( ) ( ) ( )<br>DEGRANS <math>\le 0.1</math> <math>\le 0.15</math> <math>\le 0.2</math> <math>\le 0.3</math> <math>\le 0.4</math> <math>\le 0.5</math><br>X <math>\pm 0.3</math> <math>\pm 0.4</math> <math>\pm 0.5</math> <math>\pm 0.6</math> <math>\pm 0.7</math> <math>\pm 0.8</math> <math>\pm 0.9</math><br>XX <math>\pm 0.2</math> <math>\pm 0.3</math> <math>\pm 0.4</math> <math>\pm 0.5</math> <math>\pm 0.6</math> <math>\pm 0.7</math> <math>\pm 0.8</math> <math>\pm 0.9</math><br>XXX <math>\pm 0.1</math> <math>\pm 0.2</math> <math>\pm 0.3</math> <math>\pm 0.4</math> <math>\pm 0.5</math> <math>\pm 0.6</math> <math>\pm 0.7</math> <math>\pm 0.8</math> <math>\pm 0.9</math> |              | ANGLES<br>( ) ( ) ( ) ( ) ( ) ( )<br><math>\pm 0.15</math> <math>\pm 0.2</math> <math>\pm 0.3</math> <math>\pm 0.4</math> <math>\pm 0.5</math> <math>\pm 0.6</math> <math>\pm 0.7</math> <math>\pm 0.8</math> <math>\pm 0.9</math> |      |
| DESCRIPTION: <b>Physical Dimension</b>   |          | CONFIDENTIAL  |              | PART NO.: <b>ECM-B3M-CB0807RB1(PD)</b>   |      |
| USED ON:   | UNIT: mm | SCALE: 1:1000   | SHEET 1 OF 1 | REV.: 00   | REV. |