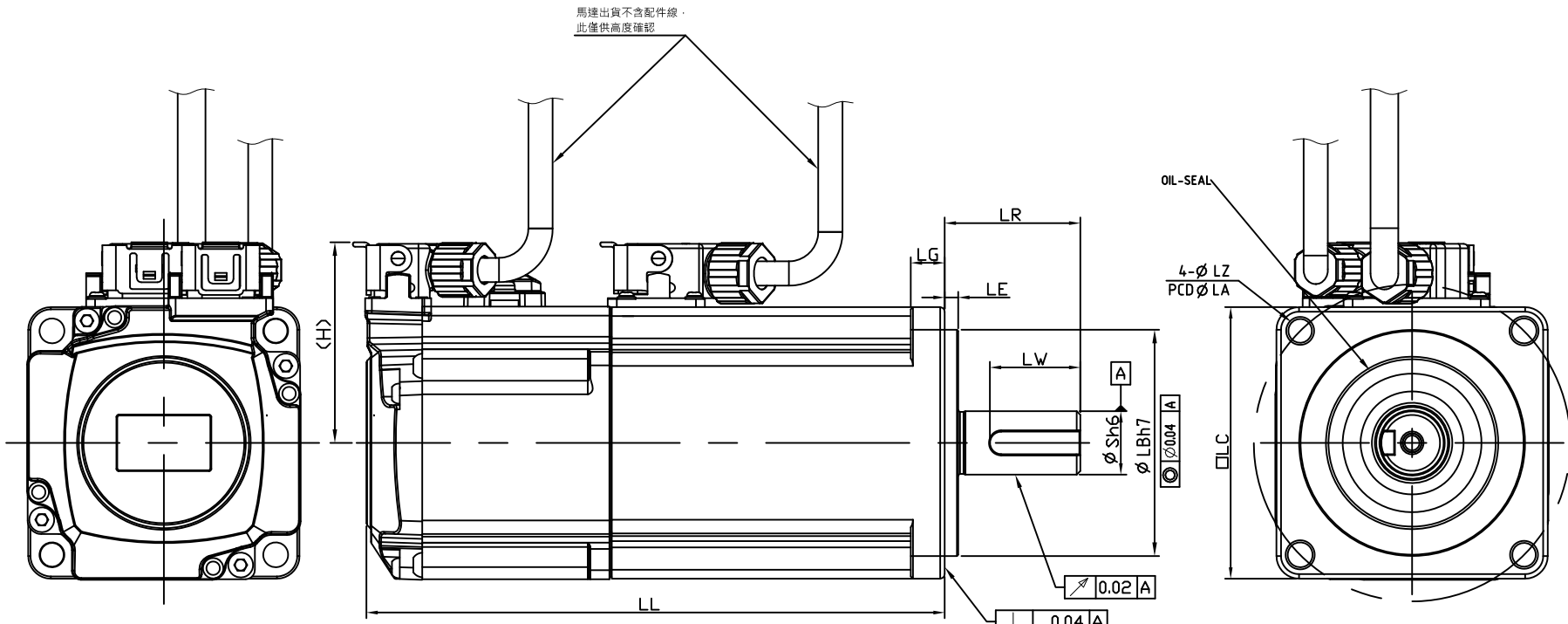
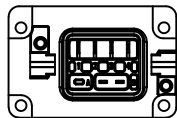


REV. 00 ECN NO. -----

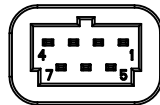


DIMENSION TABLE

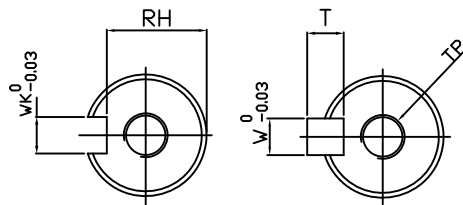
MODEL	LL	LR	LG	LW	WK	W	T	RH	TP	S	LE	LA	LZ	LB	LC	H
ECM-B3M-CB0604SB1	129.3	30	7.5	20	5	5	5	11	M4, Depth 15	14	3	70	5.5	50	60	44



MOTOR CONNECTOR (MODEL WITH BRAKE)		
PIN No.	FUNCTION	COLOR
1	U PHASE	RED
2	V PHASE	WHT
3	W PHASE	BLK
4	GND	GRN
5	BRAKE	BRN
6	BRAKE	BLU



ENCODER CONNECTOR		
PIN No.	FUNCTION	
	ABS	COLOR
1	T+	WHT
2	T-	YEW
4	IC+5V	BRN
4	GND	BLU
5	---	---
6	---	---
7	SHIELD	SHIELD



SHAFT END DETAILS

KEY DETAILS

<b>台達電子工業股份有限公司</b> <b>DELTA ELECTRONICS, INC.</b>	DRAWN: FelixLin	DESIGN: FelixLin
	APPROVE:	DATE: 10/17/2023
THESE DRAWINGS AND SPECIFICATIONS ARE THE PROPERTY OF DELTA ELECTRONICS, INC. AND SHALL NOT BE REPRODUCED OR USED AS THE BASIS FOR THE MANUFACTURE OR SELL OF APPARATUS OR DEVICES WITHOUT PERMISSION.	DIMENSIONAL TOLERANCES ( ) ( ) ( ) ANGLES DECIMALS <50 ±0.1 <50 ±0.15 <50 ±0.2 <30' ±0.1' X ±0.3 >50-100 ±0.15 >50-100 ±0.2 >50-100 ±0.25 >30'-60' ±0.3' X.X ±0.2 >100-200 ±0.2 >100-200 ±0.25 >100-200 ±0.3 >60'-90' ±0.5' X.XX ±0.1 >200- ±0.2% >200- ±0.25% >200- ±0.3%	
	DESCRIPTION: <b>PHYSICAL DIMENSION</b>	PART NO.: <b>ECM-B3M-CB0604SB1 (PD)</b>
USED ON:	UNIT: mm	SCALE: &scale SHEET 1 OF 1